

# C/CS MOUNT LENS BOX CAMERA



Made In Japan

**MASAMITSU**  
SECURITY TECHNOLOGY OF JAPAN

8.0 / 5.0 / 3.0 Mega-Pixel,  
H.265 Support

**ONVIF** | **S**

Ver. 2.4 Compliant



<b>Ex Series</b> Ex Series	<b>C/CS MOUNT</b>	<b>IP55 DUST PROOF</b> IP66	<b>H.265 H.264 MJPEG</b> ADVANCE	<b>140DB TRUE WDR</b> TRUE WDR	<b>AUTO FOCUS</b>	<b>AUTO IRIS</b>	<b>D/N ICR</b> D/N ICR	<b>SMART IR</b>	<b>PRIVACY MASK</b> P - Mask	<b>SENS-UP</b> Sens - UP
<b>ATW</b>	<b>DEFOG</b>	<b>BLC</b>	<b>MOTION DETECTION</b> M.Detection	<b>BUILT IN VCA</b> AI	<b>LOW BIT RATE WITH ROI</b> ROI	<b>AUDIO IN/OUT</b>	<b>TF CARD</b>	<b>ALARM IN / OUT (TTL)</b> ALARM I/O	<b>PoE IEEE 802.3AF CLASS 2</b> External PoE	<b>12 VOLT DC</b>

MSIPV4-50US-Ex / MSIPV4-50GS-Ex

- Max resolution 2MP(1920×1080 @ 25fps)
- Support low bit rate, low delay and ROI
- H.265 high effective compression,
- Low bandwidth and storage space
- Support multi-line OSD, OSD color can be adjusted
- ICR infrared filter plate automatic switch
- Corridor mode, increase the monitoring area
- 3D digital N/R,WDR, PoE

- Support Micro SD card (128G) local storage
- Auto electronic shutter functions
- Support various intelligent alarm
- Support bidirectional talk
- Support 1CH alarm input / 1CH alarm output
- Support GB28181, Onvif access
- Support Email, FTP, NTP HTTPS encryption transmission
- Original equipment boot to modify password

# C/CS MOUNT LENS BOX CAMERA

## 5.0 / 3.0 Mega-Pixel



Made In Japan

**MASAMITSU**  
SECURITY TECHNOLOGY OF JAPAN



- ✔ Max resolution 2MP(1920×1080 @ 25fps)
- ✔ Support low bit rate, low delay and ROI
- ✔ H. 265 high effective compression,
- ✔ Low bandwidth and storage space
- ✔ Support multi-line OSD, OSD color can be adjusted
- ✔ ICR infrared filter plate automatic switch
- ✔ Corridor mode, increase the monitoring area
- ✔ 3D digital N/R,WDR, PoE
- ✔ Support Micro SD card (128G) local storage
- ✔ Auto electronic shutter functions
- ✔ Support various intelligent alarm
- ✔ Support bidirectional talk
- ✔ Support 1CH alarm input / 1CH alarm output
- ✔ Support GB28181, Onvif access
- ✔ Support Email, FTP, NTP HTTPS encryption transmission
- ✔ Original equipment boot to modify password

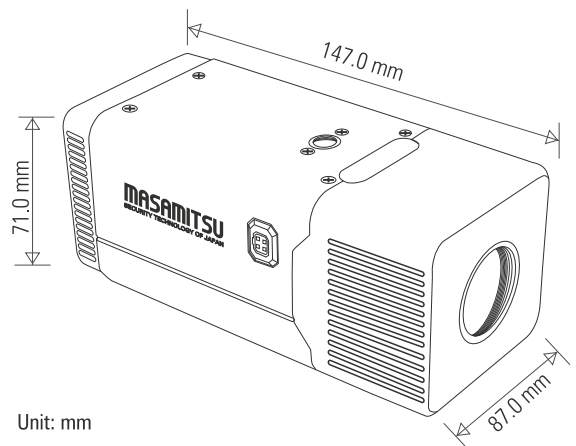
Product may vary in appearance and specifications.

### TECHNICAL SPECIFICATIONS

Model Name	MSPV4-50US-Ex 3.0 Mega	MSPV4-50GS-Ex 5.0 Mega
<b>VIDEO PARAMETERS</b>		
Imaging Device	1/2.7" Progressive Sony IMX327 Sensor	1/2.7" Progressive Sony IMX335 Sensor
Total Pixels	2,048(H)X1,536(V)	2,560(H)X1,960(V)
Scanning System	Progressive Scan Sensor	
Min. Illumination	Color: 0.1Lux@F1.2 (AGC OFF), B/W: 0.0Lux@F1.2 ( IR ON)	
S/N Ratio	More than 50 dB (AGC OFF)	
Video Compression	H.265, H.264, M-JPEG	
Video Quality	H.265, H.264: Compression Level, Target Bit rate Level Control (CBR/VBR), M-JPEG: Quality Level Control	
Data Rate Control	Video Compression level of H.265, H.264, Video Frame rate, Bit rate CBR or VBR	
Dual Stream	Main Stream: 2048*1536/1920*1080 / 1280*720 Sub Stream: 704*576/640*480/ 320*240	Main Stream: 2560*1960/2592*1520/ 2048* 1536/1920*1080 Sub Stream: 704*576/640*480/ 320*240
Max. Frame rate	2048X1536@20fps; 1920X1080@25fps; 1280X960@25fps	2560X1960@15fps; 2592X1520@25fps; 2048X1536@25fps
<b>LENS PARAMETER</b>		
Lens Type	2.8–12 mm / 5.0–50 mm Vari-Focal Lens (Optional)	
<b>OTHER FUNCTIONS</b>		
WDR (Two Exposure)	120dB (Off/Low/Middle/High)	
Digital WDR	Support All Models	
Day&Night	True Day Night with ICR	
DNR	3DNR	
Motion Detection	4 Area Selectable Support	
Privacy Masking	4 Area Selectable Support	
Gain Control	Max. AGC to 255	
White Balance	Auto White Balance (AWB)	
Electronic Shutter	Auto/A.FLK/Manual	
Flip/Mirror	Support All Models	
<b>NETWORK PARAMETERS</b>		
Ethernet	RJ45 for 10BASE-T/100BASE-TX PoE	
Audio	1 RCA Audio In-Put / 1 RCA Audio Out-Put	

Video	1 Ch. 1.0 Vp-p Composite Video Out-Put
Alarm	2 Ch. Alarm Input / 1 Ch. Alarm Output
TF Card	Support Max. 128 GB , Micro SD ( SDHC / SDXC )
Reset	Support
RS-485	Support
Protocol	HTTP, PPPoE, UPNP, FTP, DDNS, VPN, RTSP, etc.
ONVIF Conformance	Support ONVIF Profile S Ver.2.4
CMS Software	Support
<b>ENVIRONMENTAL PARAMETERS</b>	
Temperature/ Humidity	-10°C to +50°C , 0% to 90% (non-condensing)
Ingress Protection	Waterproof Housing (IP66) / IK10 Vandal Proof Dome
<b>ELECTRICAL PARAMETERS</b>	
Power over Ethernet	Power over Ethernet IEEE 802.3af Class 2 (Optional)
Input Voltage/ Current	190mA/DC12V;
Power Consumption	Day:1.92 W
<b>MECHANICAL PARAMETERS</b>	
Color/ Material	Body: White Epoxy Spray Paint / Aluminum Dai Cast
Dimensions	147.0 mm (L) X 71.0 mm (H) X 80.7 mm (W)
Weight	Approx. 625 g

### DIMENSIONS



Unit: mm

The above mentioned technical drawings are for reference only. All dimensions are in millimeters and approximate.

Masamitsu Technologies may, at any time and without notice, make changes or improvements to the products and services offered and/or cease producing or commercializing them. The Masamitsu logo and trademark are properties of Masamitsu Technologies.

Authorised Dealer / Representative.

